

# INSTALLATION INSTRUCTIONS BASIN SHROUD

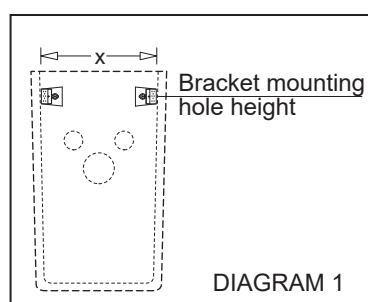
**PRODUCT  
CODE:  
J3168**



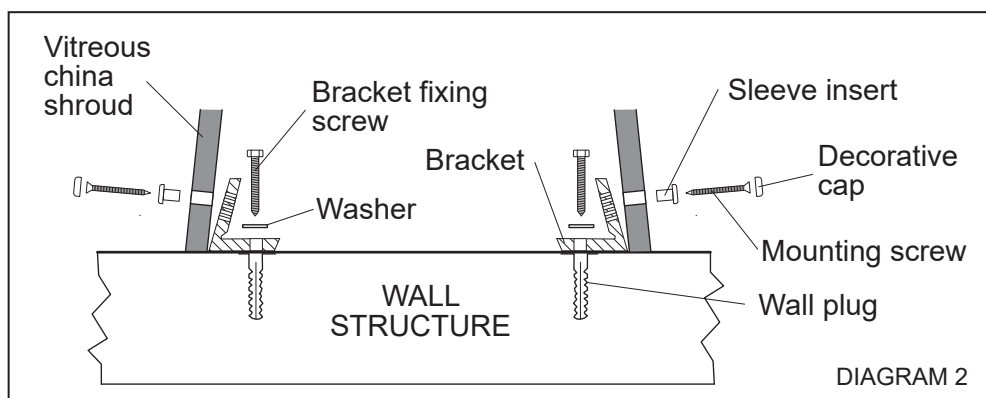
## INSTALLATION STEPS

1. Mount the basin on the wall at the desired height according to instructions.
2. Fit and connect waste and water supply connections.
3. Place the shroud in position under the basin and mark the position of the mounting holes

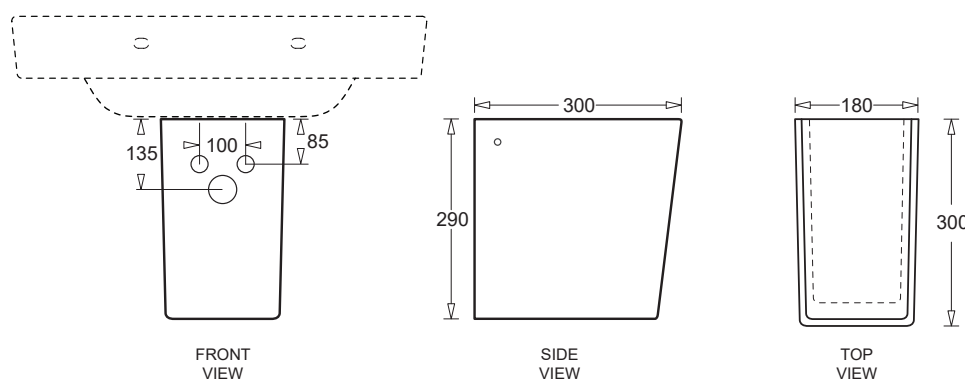
4. Measure the dimension x on the shroud (Diagram 1)
5. Using the marked height fix the brackets in position using the wall plugs/screws/washers.



6. Fix the shroud to the wall (Diagram 2)



## BASIN SHROUD DIMENSIONS



SUPERSEDES ALL PREVIOUS ISSUES

All dimensions are in millimetres and are subject to normal manufacturing variation.  
As product development is ongoing BPA reserves the right to vary specifications without notice.

**Bathroom Products Australia P/L** ABN 87 079 297 617

Bathroom Products Australia P/L  
2/97 BANKSIA ST  
BOTANY, NSW 2019  
TEL: 1300 717 717 FAX: 1300 746 480  
www.johnsonsuiss.com.au