

INSTALLATION INSTRUCTIONS
GEMELLiCARE Rimless Wall Faced Pan
Code: JTTG735.15x



AS1428.1 ✓

JohnsonSuisse
 Bathroom Solutions

DESCRIPTION

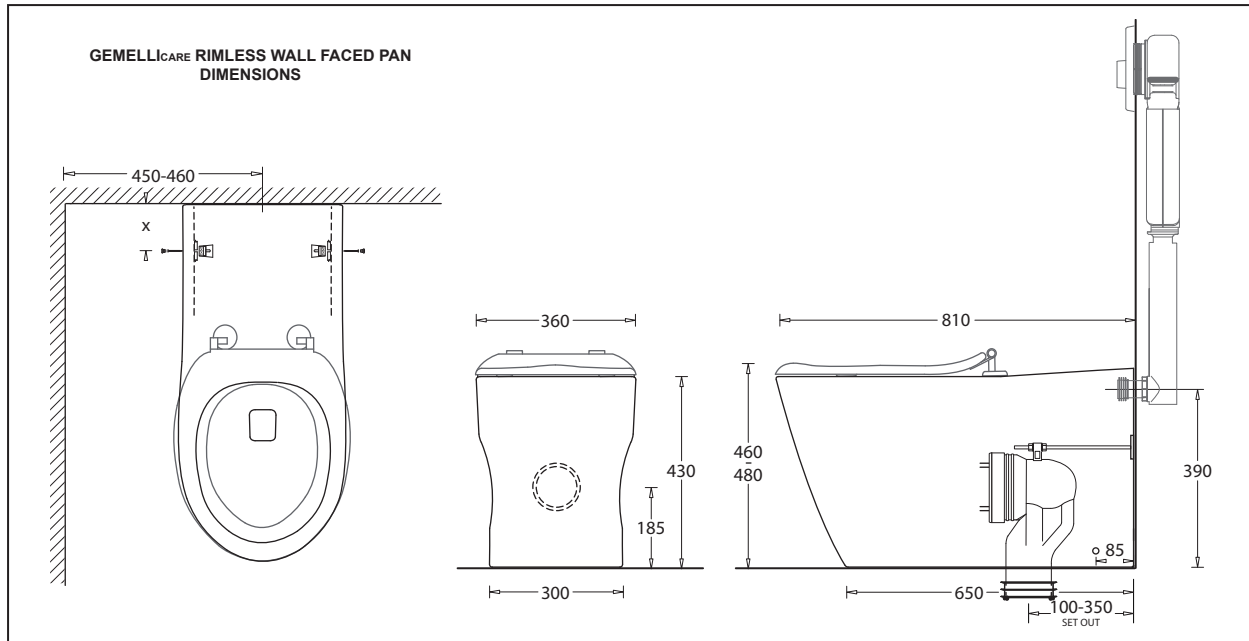
The GEMELLiCARE Wall Faced toilet is a fully concealed pan with a 180mm P trap set out. A S Trap set out of 100-300mm can be achieved by using the included adjustable pan connector.

The pan is designed to be used with an in-wall cistern and can be installed to be fully compliant with AS1428.1 Design for Access and Mobility.

A Plaza Assist Special Needs seat is supplied. This seat is Grey or Blue and has lateral supports and no cover. The seat is also available in White for non-special needs installations.

The suite is supplied with an adjustable S Trap connector fitting that permits a 100-350mm set out range. The suite can also be connected in a P Trap configuration (fittings not supplied).

Floor fixing brackets are provided.



CISTERN

- Install an in-wall cistern to supplier's instructions.
- Note that the flush-water inlet at the back of the pan needs to be located 370mm above floor level.
IMPORTANT: for a leak-free connection, ensure flush-pipe is fully inserted into the keeseal, and keeseal fully inserted into the pan.

INSTALLATION STEPS

1. Inspect the pan, and seat for any transit damage before starting installation.
1. Check site roughing in, water supply position and assembly dimensions before commencing installation.
2. The WC pan can be installed by setting in a mortar bed or using the concealed pan-fixing bracket.
3. Place the pan in position ensuring it is aligned with the centerline of the sewer connection. Mark the location of the pan fixing bolt holes (Dimension x in Diagram).
4. Remove pan and locate the position of the floor brackets 20mm in from the external edges of the pan side. Drill the holes (10mm) to attach the floor fixing brackets.
5. For S Trap installation cut the pan connector fitting to the correct length to suit the set out of the installation ensuring that the connector fits onto the pan outlet spigot by at least 40mm.
6. Fix the bracing prop to the back wall. Check that both the water inlet and pan outlet connections fit correctly with the pan fully back against the wall.
7. Screw the fixing bolts into the floor brackets to fix the pan securely to the floor

GENERAL

1. Fill the cistern, and check the water level, if necessary adjust to the fill mark.
2. Test flush several times while checking for leaks at the pan connector and the cistern connection.
3. Fit the toilet seat.

FLOOR FIXING BRACKETS

