

MILANO

COMPACT CORNER BASIN

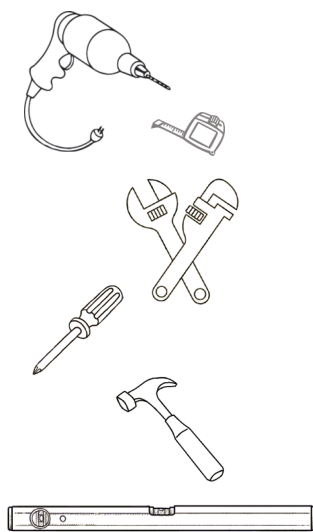
INSTALLATION GUIDE

CODE: MBSM830.1

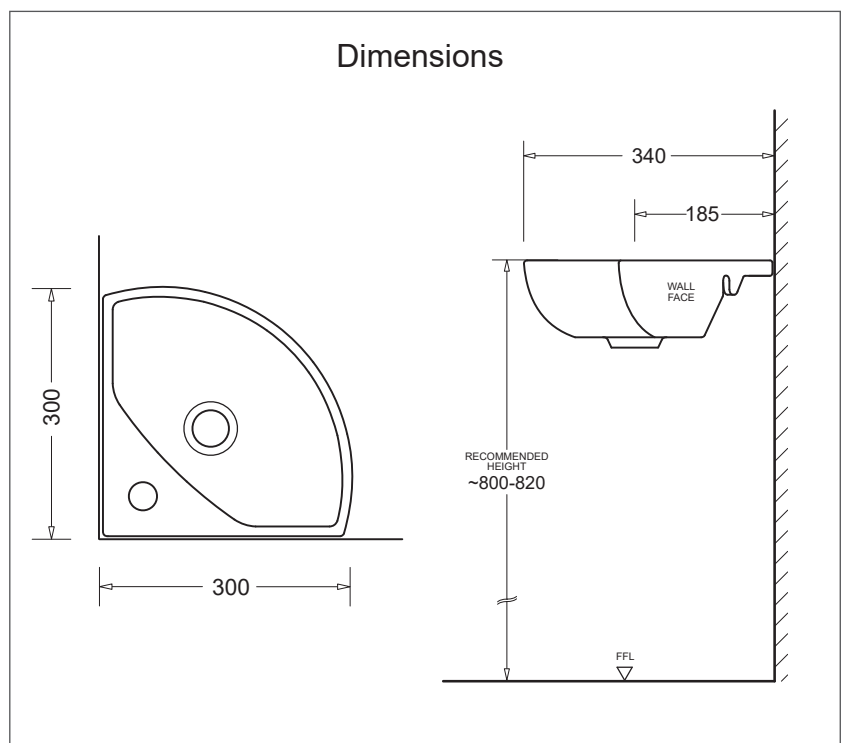


Required Tools:

- Drill
- Tape measure
- Spanners
- Screwdriver
- Hammer
- Spirit level



Dimensions



MILANO

COMPACT CORNER BASIN

INSTALLATION GUIDE

CODE: MBSM830.1

METHOD:

- Place the basin at the required position.
- Mark the line for the top of the basin (recommended to be 800 - 820mm above finished floor level).
- Remove the basin, and mark the anchoring points 25mm below the required top line, and 90mm out from the corner in both directions (refer to Diagrams 1 and 2).
- Drill 2 holes 9.5mm in the wall (masonry), insert wall plugs and screw in the Rag bolts securely to the wall.
- If installing into a timber frame, drill a 5m pilot hole and thread rag bolt directly into timber.
- Ensure that the waste and water inlets are in place (refer to Diagram 4).
- Position the basin over the bolts, and secure with nuts and washers (refer to Diagram 3)
- Seal around the sides and top of the basin with a suitable silicone.
- Make all water and waste connections as required.

