

GEMELLI

550 RECTANGULAR SEMI-INSET
COUNTER TOP BASIN

Nominal size 550 x 410mm



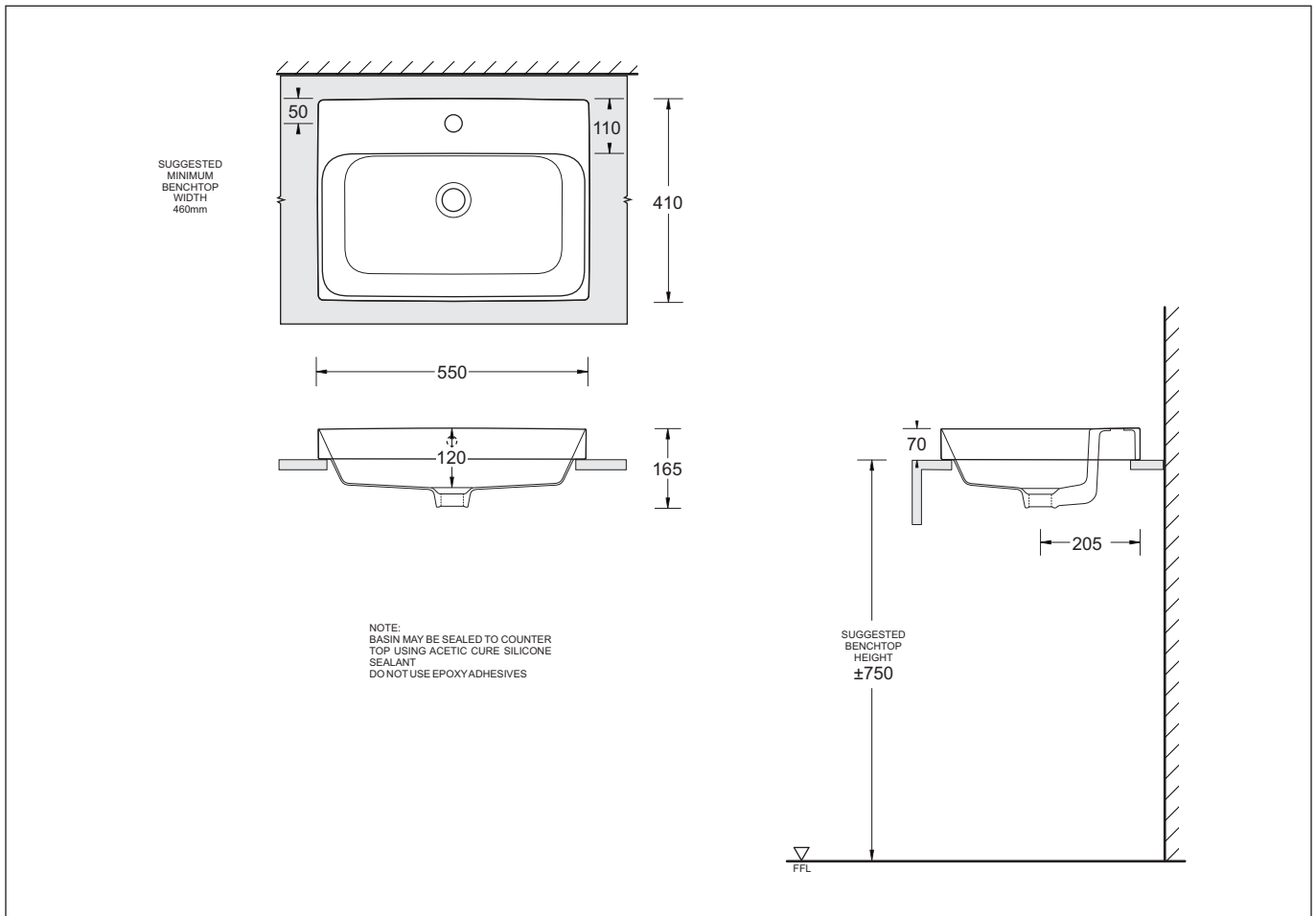
1 TAPHOLE



- Attractive rectangular style vitreous china basin
- Vessel designed for inset counter top installation
- Standard overflow
- 1 tap hole
- 32mm waste outlet
- Basin capacity 8.4L
- 550 x 410mm size

Provided

Item	Description	Code
Basin	Gemelli Rectangular Inset Vessel	JBSG655.1
Overflow Trim	CP Overflow Cap - JS	X065
Plug & Waste	Pop-up waste-Chrome	PW6
Installation	Counter Template Kit	✓
Installation	Instructions	✓



All dimensions are in millimetres and are subject to normal manufacturing variation of +/- 3mm on all surfaces. As product development is ongoing BPA reserves the right to vary specifications without notice.