

FERLA BASIN MIXERS

SINGLE LEVER MIXER
STANDARD AND TALL MODELS



FERLA BASIN MIXERS

SINGLE LEVER MIXERS



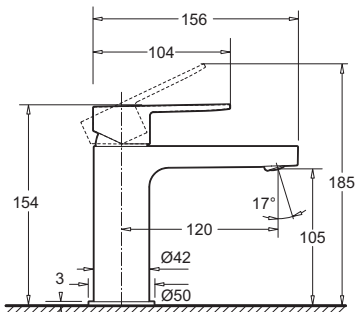
- Attractively styled basin mixer with a fixed spout
- The Tall model is suitable for bench mounting with vessel type basins
- Single lever activation with a flat lever design style
- Fitted aerator in spout
- Quality 35mm diameter ceramic disc provides accurate flow and mixing temperature control
- Simple water supply connection via two fitted flexihoses
- Easy-to-use backnut arrangement for simple fitting

Provided

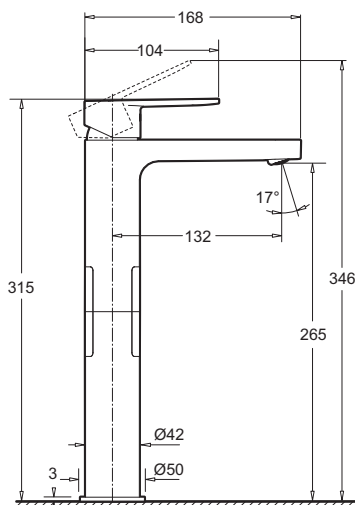
Item	Description	Code
Tapware	Ferla Basin Mixer	JTFR121
Installation	Instruction sheet	✓

Tapware	Ferla Tall Basin Mixer	JTFR223
Installation	Instruction sheet	✓

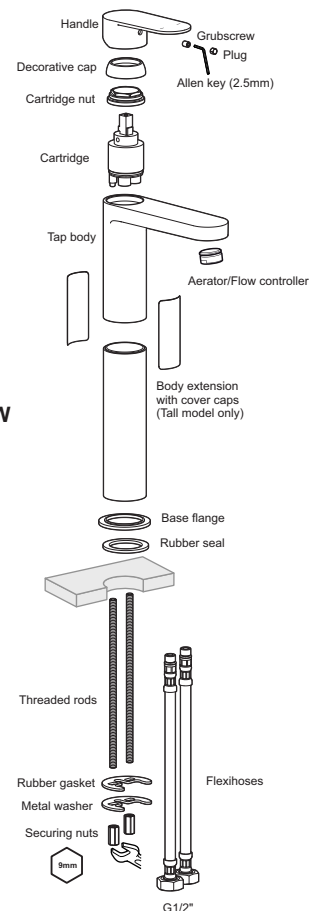
FERLA BASIN MIXER DIMENSIONS



FERLA TALL BASIN MIXER DIMENSIONS



EXPANDED VIEW SHOWING COMPONENTS



All dimensions are in millimetres and are subject to normal manufacturing variation. As product development is ongoing BPA reserves the right to vary specifications without notice.

Bathroom Products Australia P/L
ABN 87 079 297 617

Tel: 1300 717 717

Fax: 1300 746 480

www.johnsonsuisse.com.au

R0