

PLUG and WASTE

32mm POP-DOWN WASTE

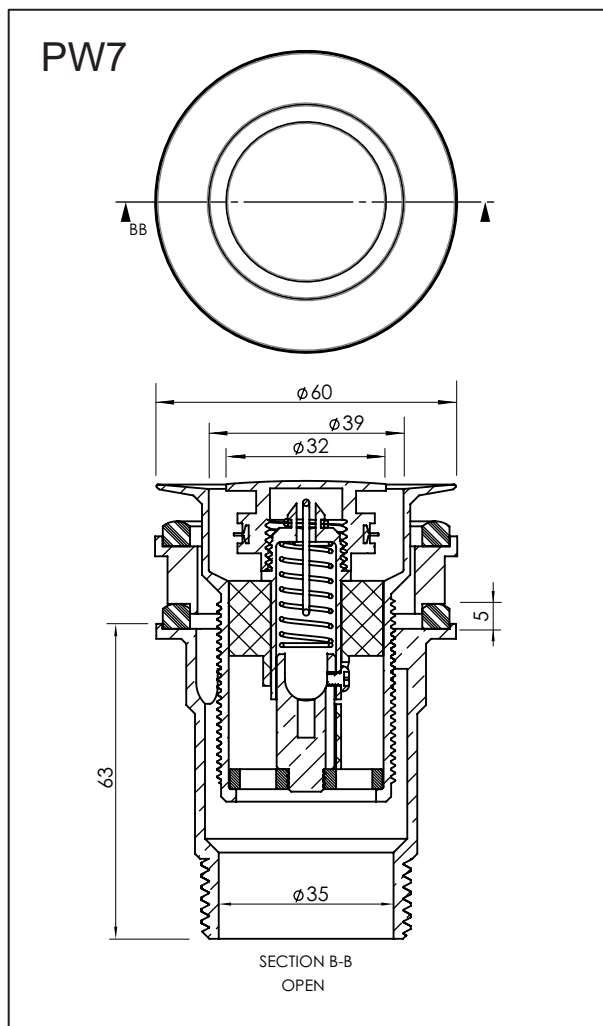
Suitable for Basins With or Without Overflow

- Suitable for basins designed for 32mm or 40mm waste fittings.
- Durable brass construction with Chrome or Black EP finish
- Adjustable length to suit a wide range of basin models.
- Bottom waste connection is DN32(1¼").
- Integrated pop-down plug with simple function
- Patent pending.

Item	Finish	Code
Plug and Waste 32mm Pop-Down	Chrome	PW7
Plug and Waste 32mm Pop-Down	Black	PW7B

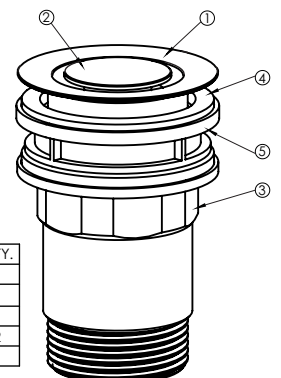
Optional

Bottle Trap	Chrome	BT1
Bottle Trap	Black	BT1B
Bottle Trap	Chrome	BT2



CLOSED

OPEN



ITEM	DESCRIPTION	QTY.
1	FLANGE POP DOWN 60mm DIA	1
2	POP DOWN VALVE WITH UPSIDE DOWN SPRING	1
3	BACK NUT FOR POP DOWN 32mm	1
4	POP DOWN DELUX WASHER	2
5	SPACER FOR POP DOWN	1

Note:

Spacer and additional washer to be used in low profile applications only.